

TRANSFORMERS

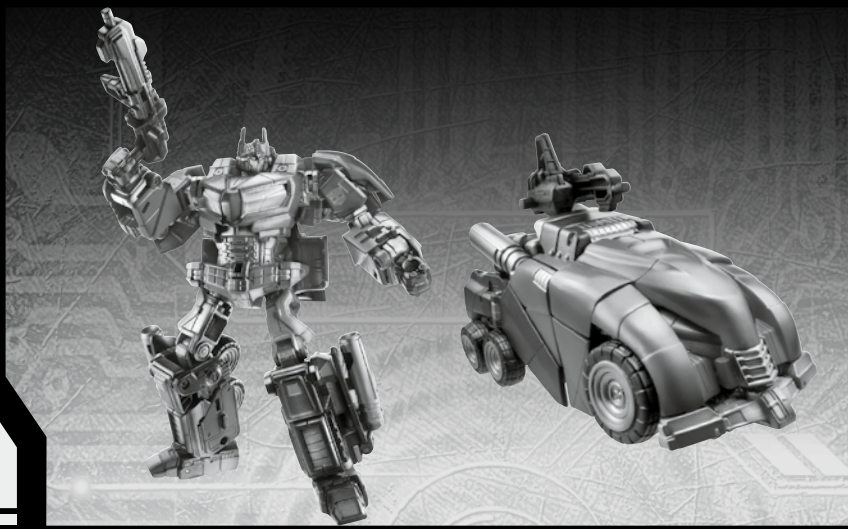
CYBERTRONIAN OPTIMUS PRIME™

LEVEL: 0 1 2 3 4 5

ADVANCED

AUTOBOT

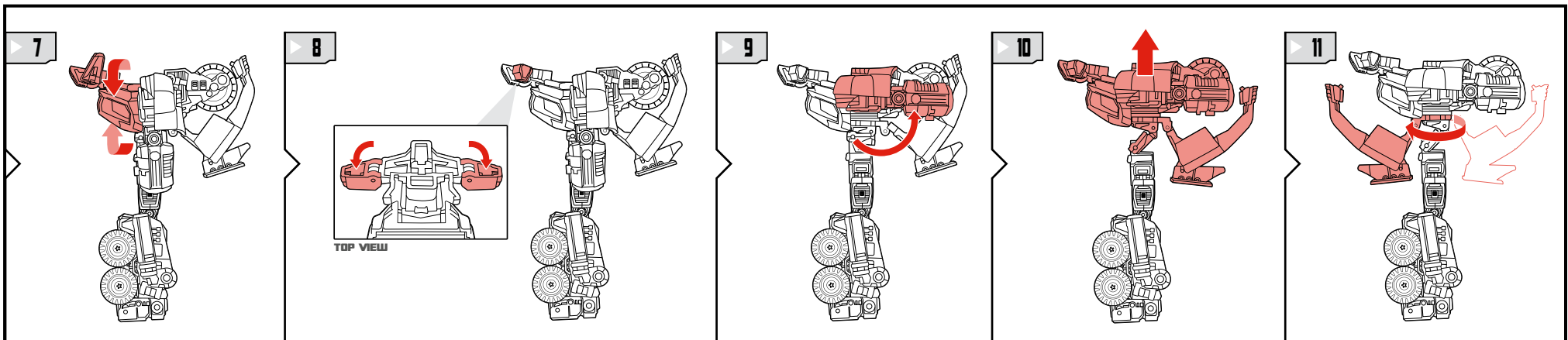
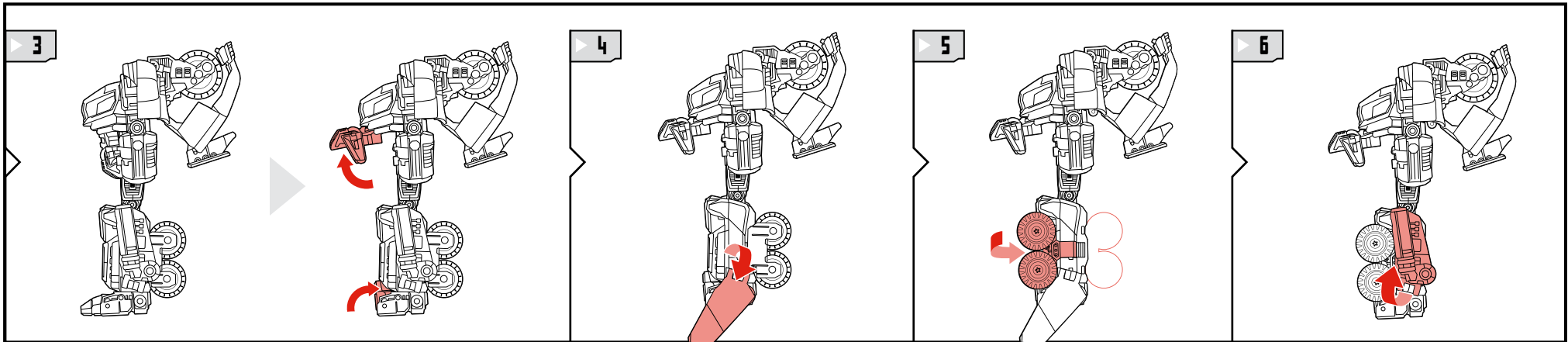
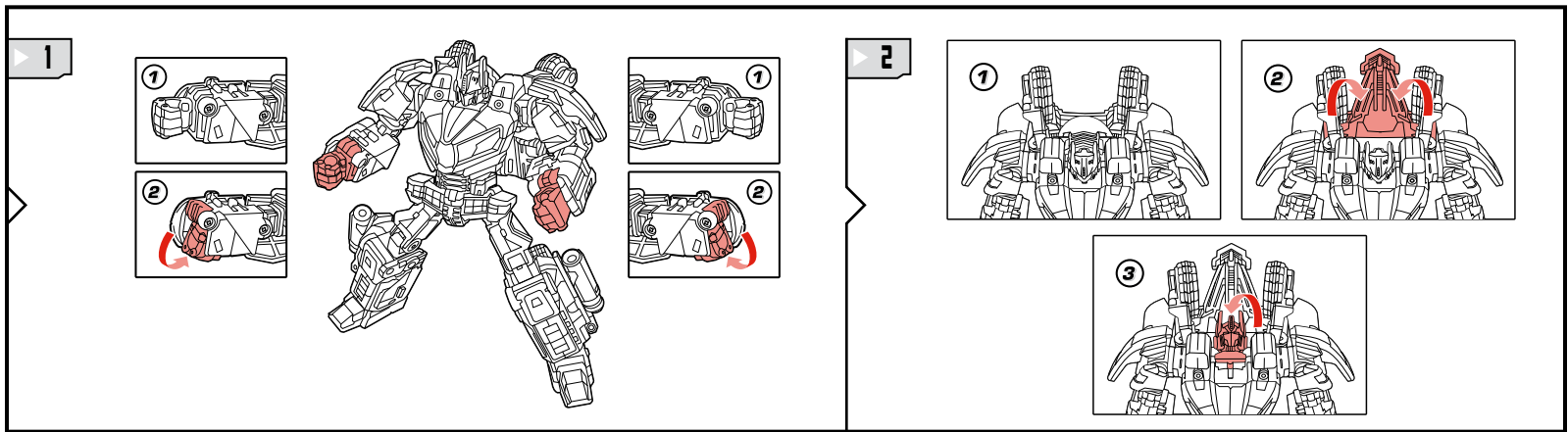
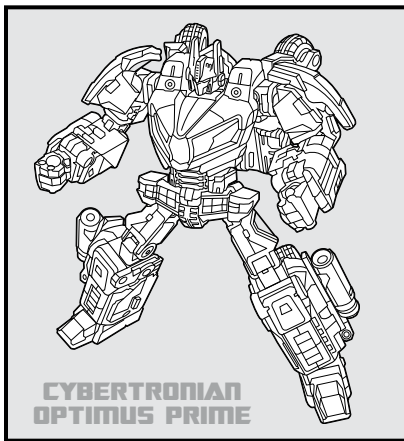
NOTE: Some parts are made to detach if excessive force is applied and are designed to be reattached if separation occurs. Adult supervision may be necessary for younger children.

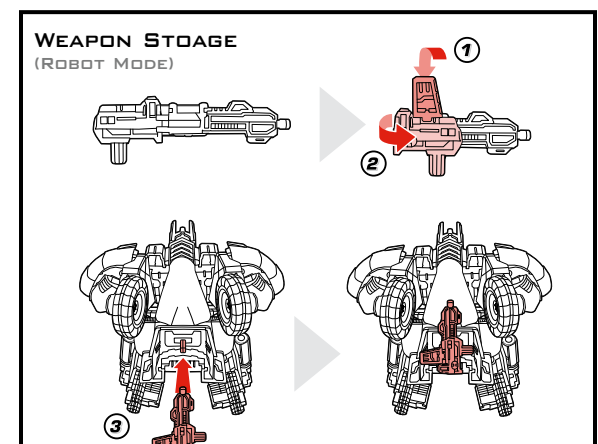
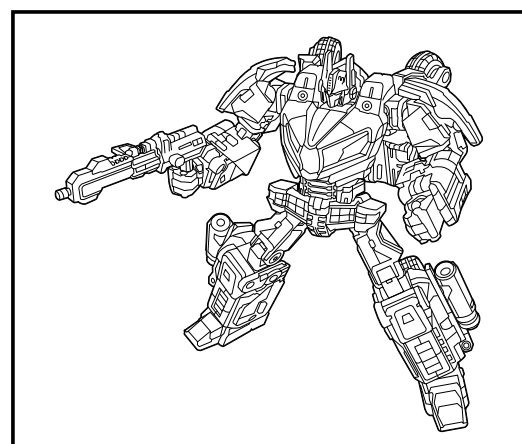
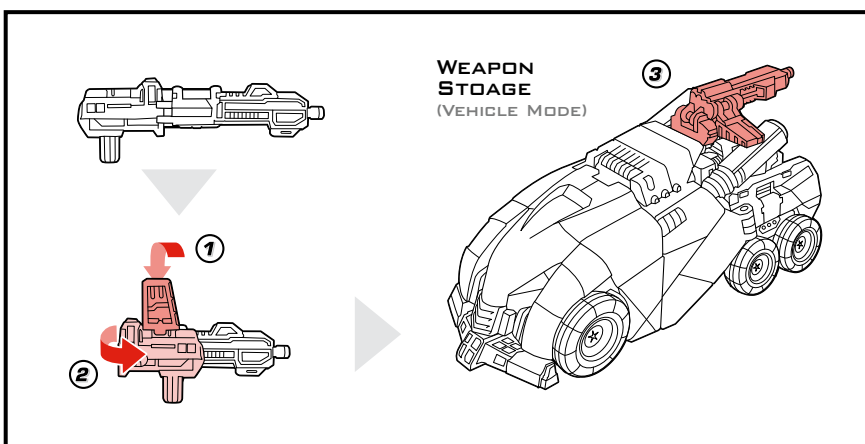
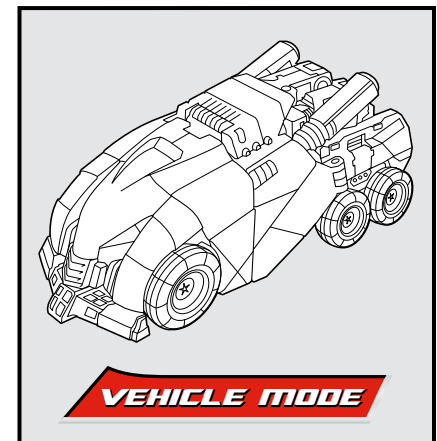
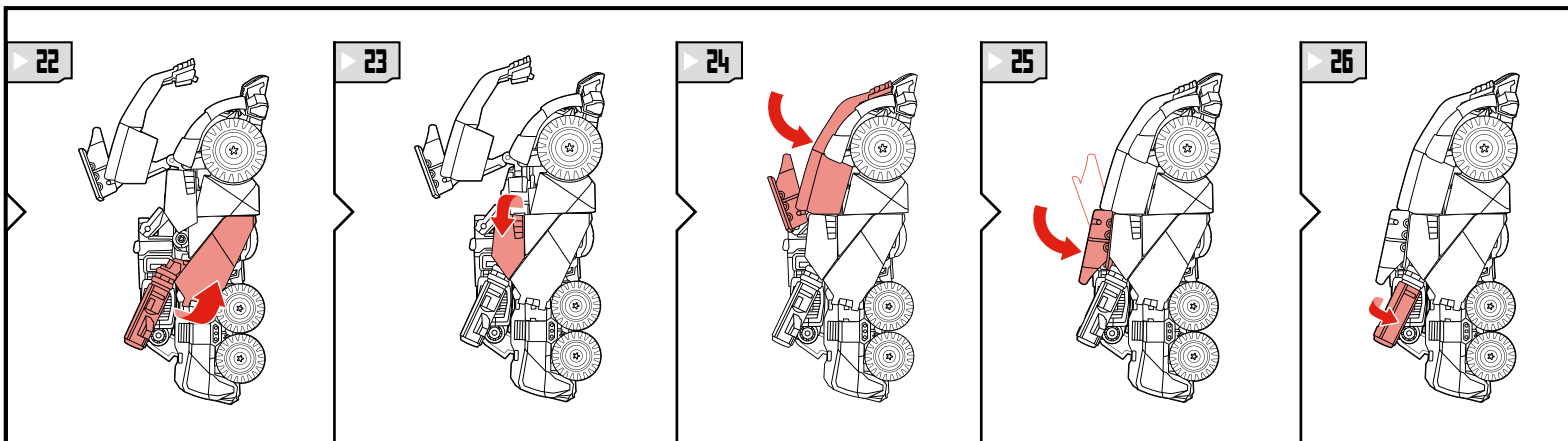
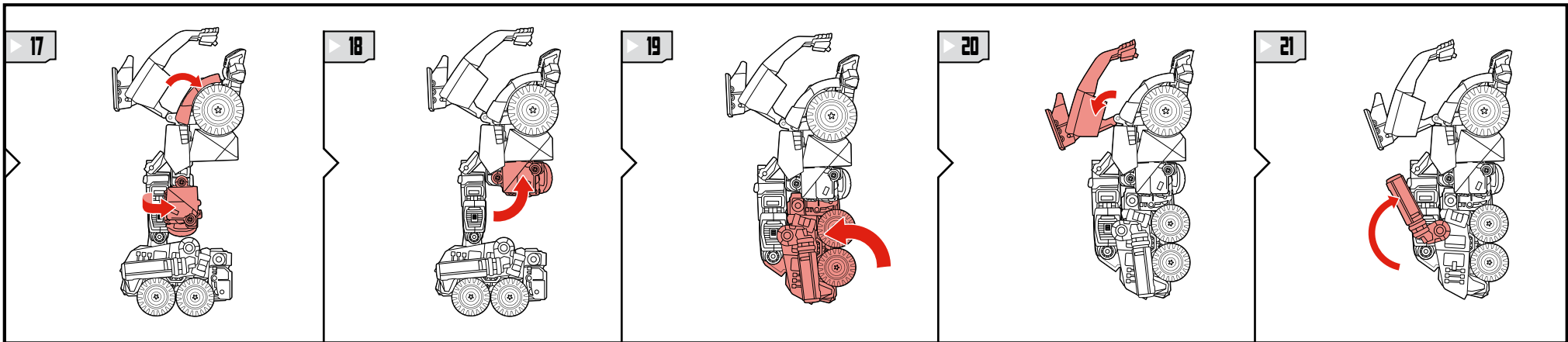
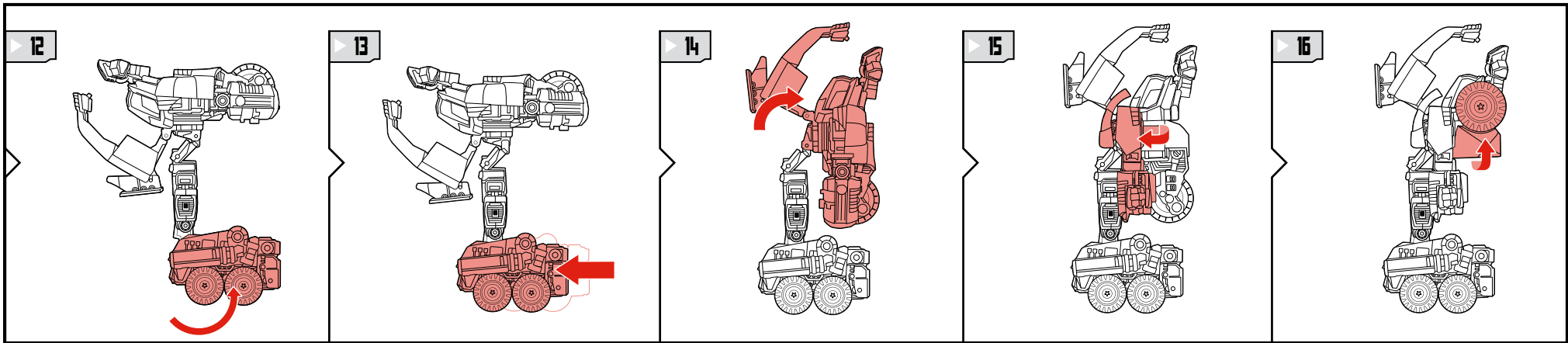


AGES 5+
98454/98452 Asst.

TRANSFORMERS.COM

CHANGING TO VEHICLE





P/N 703660000

Some poses may require hand support.

REVERSE ORDER OF INSTRUCTIONS TO CONVERT BACK INTO ROBOT.

Retain instructions for future reference.



NEED HELP?

TRANSFORMERS.COM/INSTRUCTIONS



Not suitable for children under 3 years because of small parts - choking hazard.



© 2009 Hasbro. All Rights Reserved. TM & © denote U.S. Trademarks. Manufactured under license from Tomy Company, Ltd.