



Lincoln Logs[®] House

INSTRUCTIONS

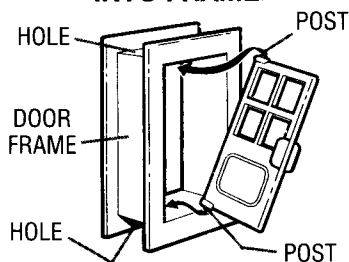
Lincoln Logs are made of real wood for lasting durability and good looks. Easy-fitting plastic accessories, including roofs, chimneys, windows and a door add colorful fun.

These instructions show you how to make the sets pictured. Using your own creativity, you can make many other structures with this set or combine this set with other Lincoln Logs sets to create larger and more exciting layouts.



Questions? Call: TM
1-800-PLAYSKL

TO INSERT DOOR INTO FRAME:



Snap posts on door into holes in top and bottom of door frame as shown.

House Set Includes

2 SMALL ROOFS

1 LARGE ROOF

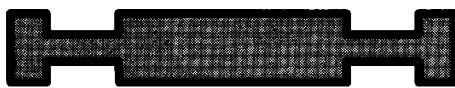
4 WINDOWS

1 DOOR

2 CHIMNEYS



(33) #1 LOGS



(20) #3 LOGS



(3) #4 LOGS

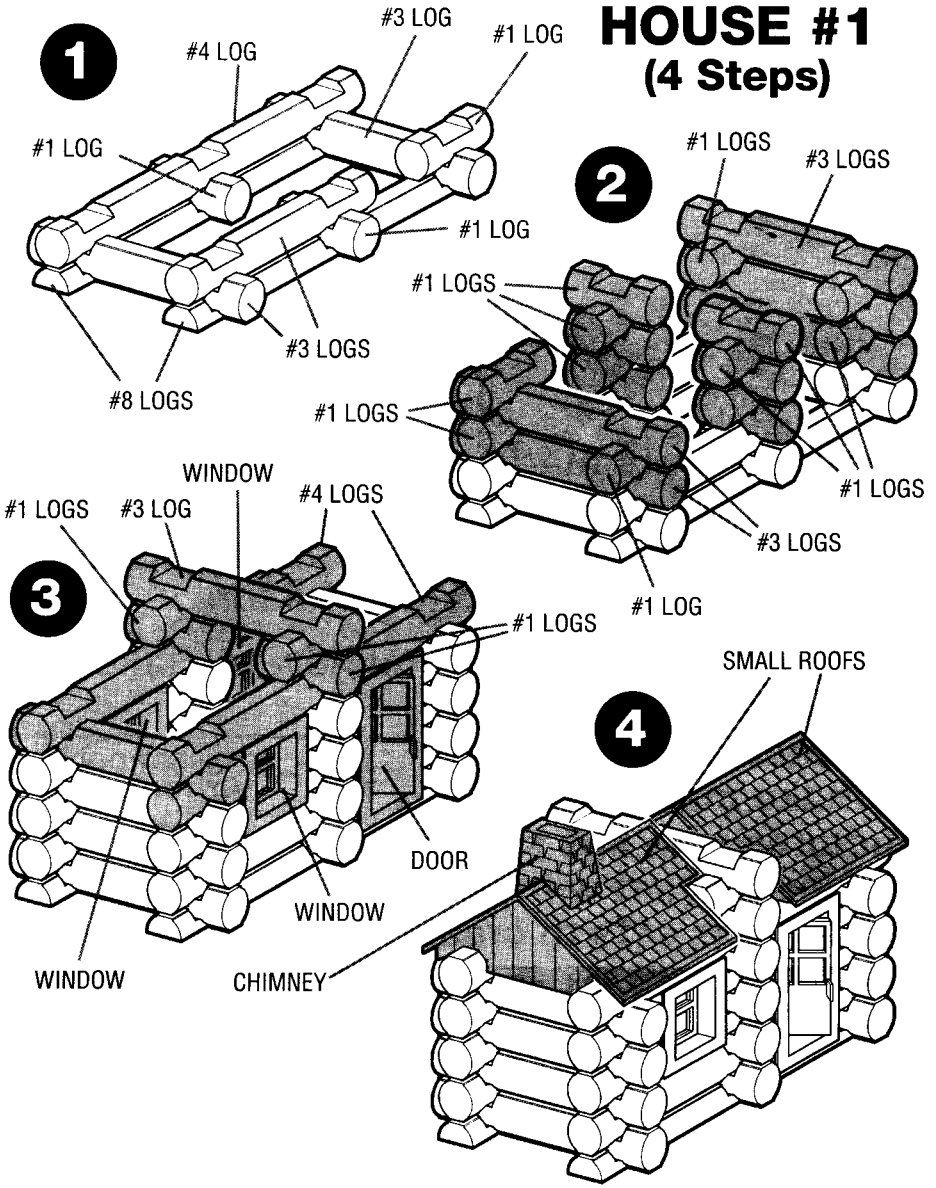


(2) #5 LOGS

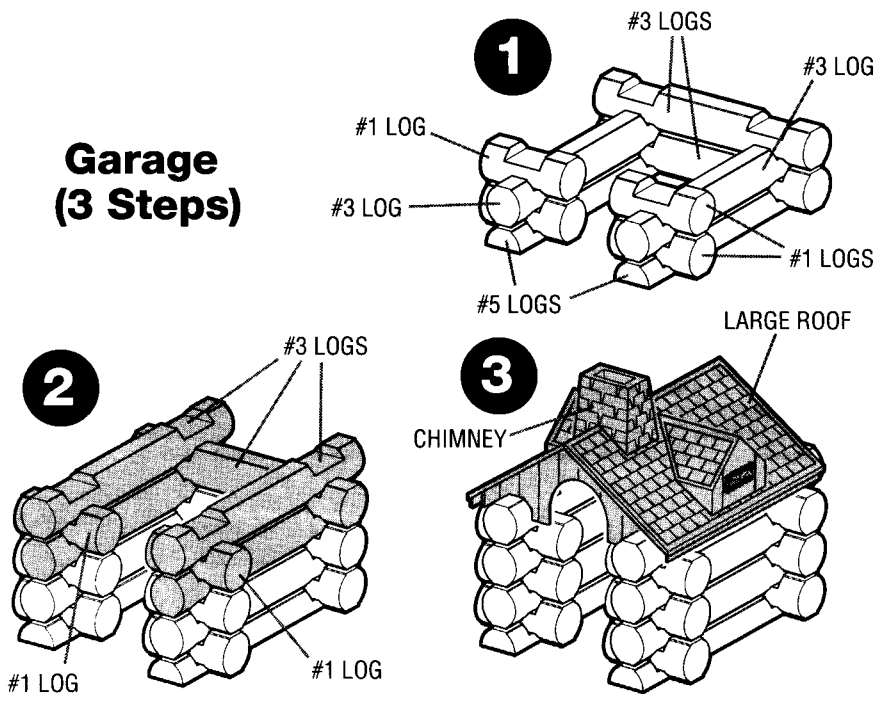


(2) #8 LOGS

HOUSE #1 (4 Steps)

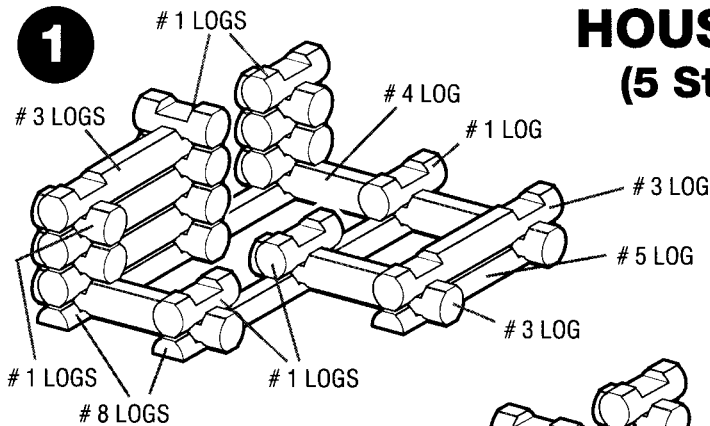


Garage (3 Steps)

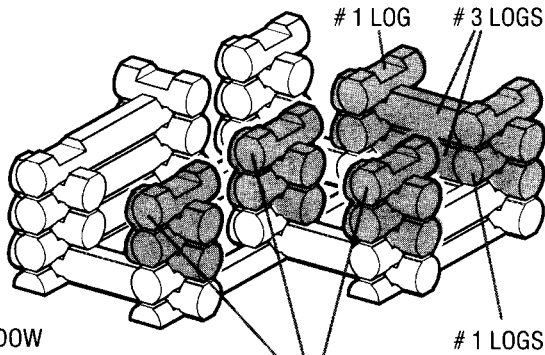


HOUSE #2 (5 Steps)

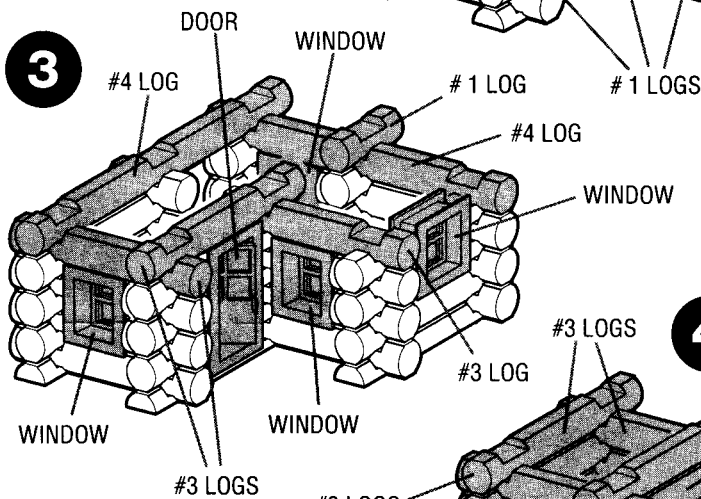
1



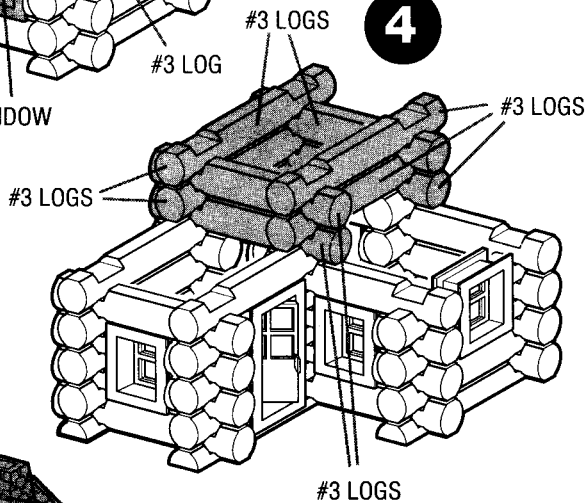
2



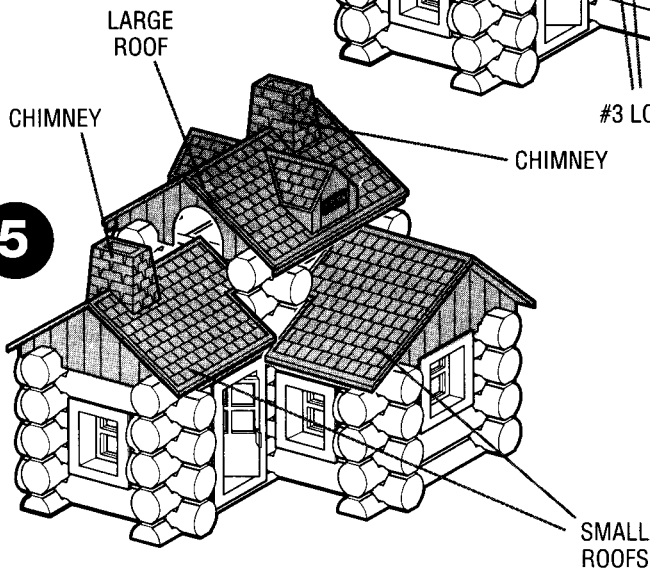
3



4

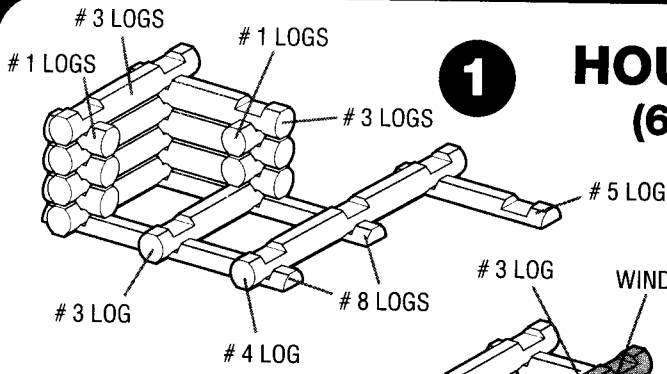


5

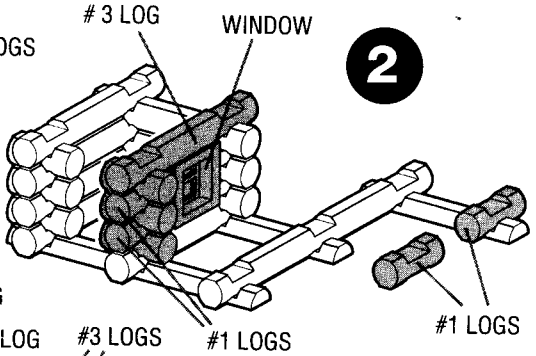


HOUSE #3 (6 Steps)

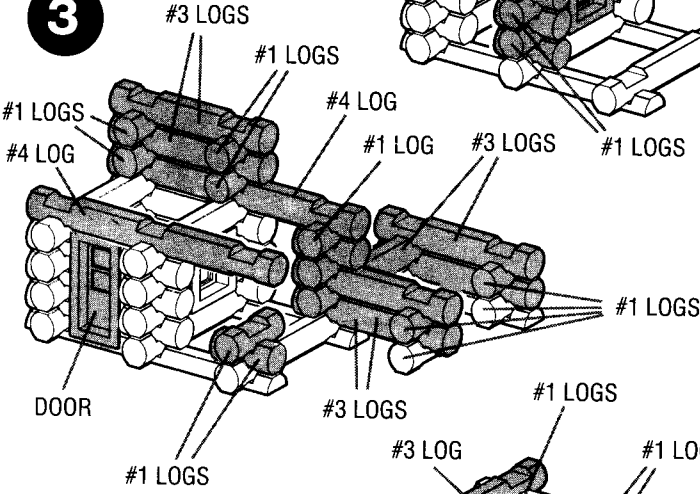
1



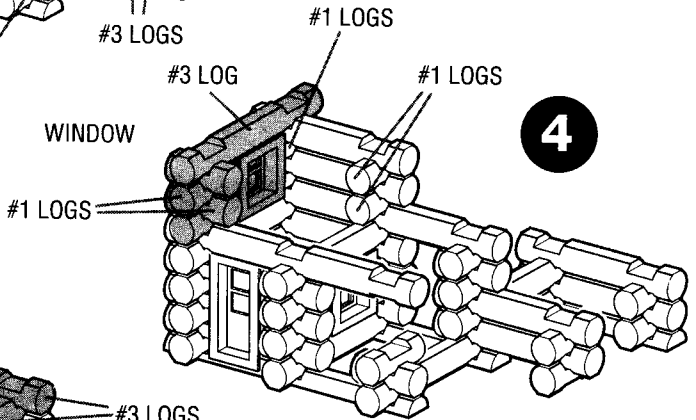
2



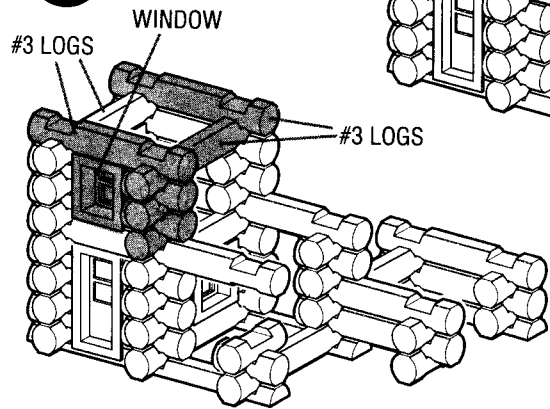
3



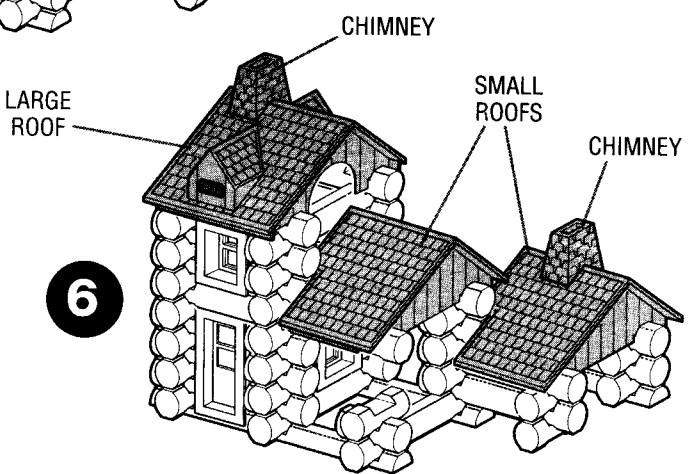
4



5

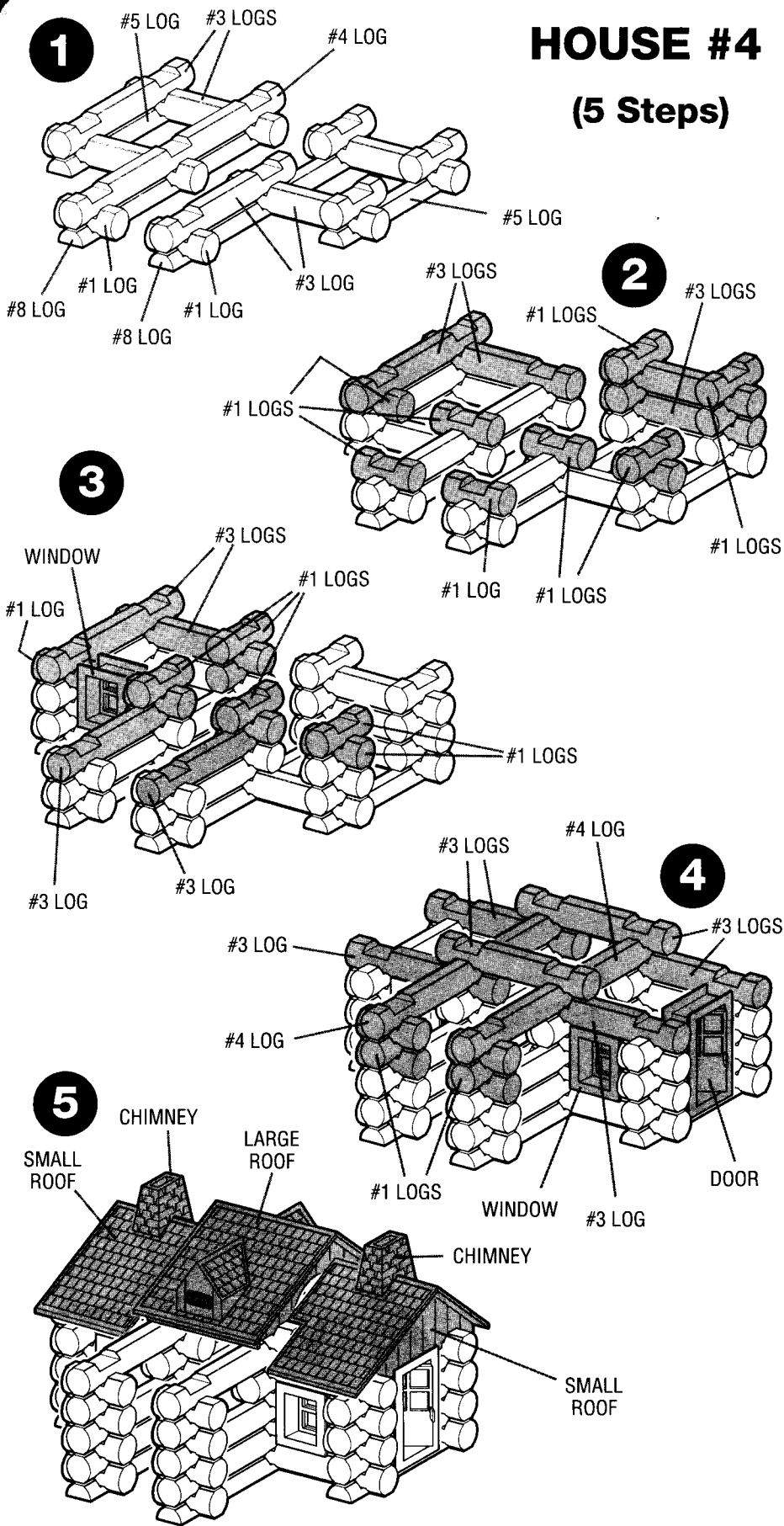


6



HOUSE #4

(5 Steps)

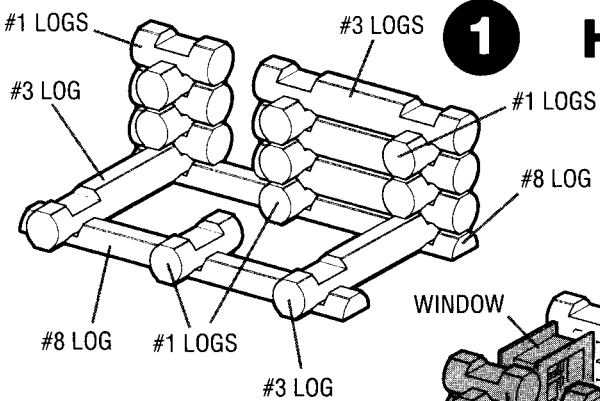


©1992 Playskool, Inc., Pawtucket, RI 02862 USA, a subsidiary of Hasbro, Inc. All Rights Reserved.

®denotes Reg. U.S. Pat. & TM Office.

MADE IN USA.

985 P/N 44022500



HOUSE #5

(5 Steps)

